



**NITRO**

BUILT FOR  
GOOD TIMES

SPRING 2024



HEY! NICE TO MEET YOU.

# BUILT FOR GOOD TIMES



Built For Good Times Built  
Built For Good Times Built  
Built For Good Times Built

Our mission is to create bags with endless functionality, and a timeless attention to detail and design from conception to finished product. Our designers have the freedom to create whatever they desire and have the luxury of tweaking the smallest of details to their standard. Nitro Bags is a functional design driven bag company creating quality products with attention to the details the customer actually desires.



# OUR SUSTAINABLE APPROACH



RECYCLED MATERIALS

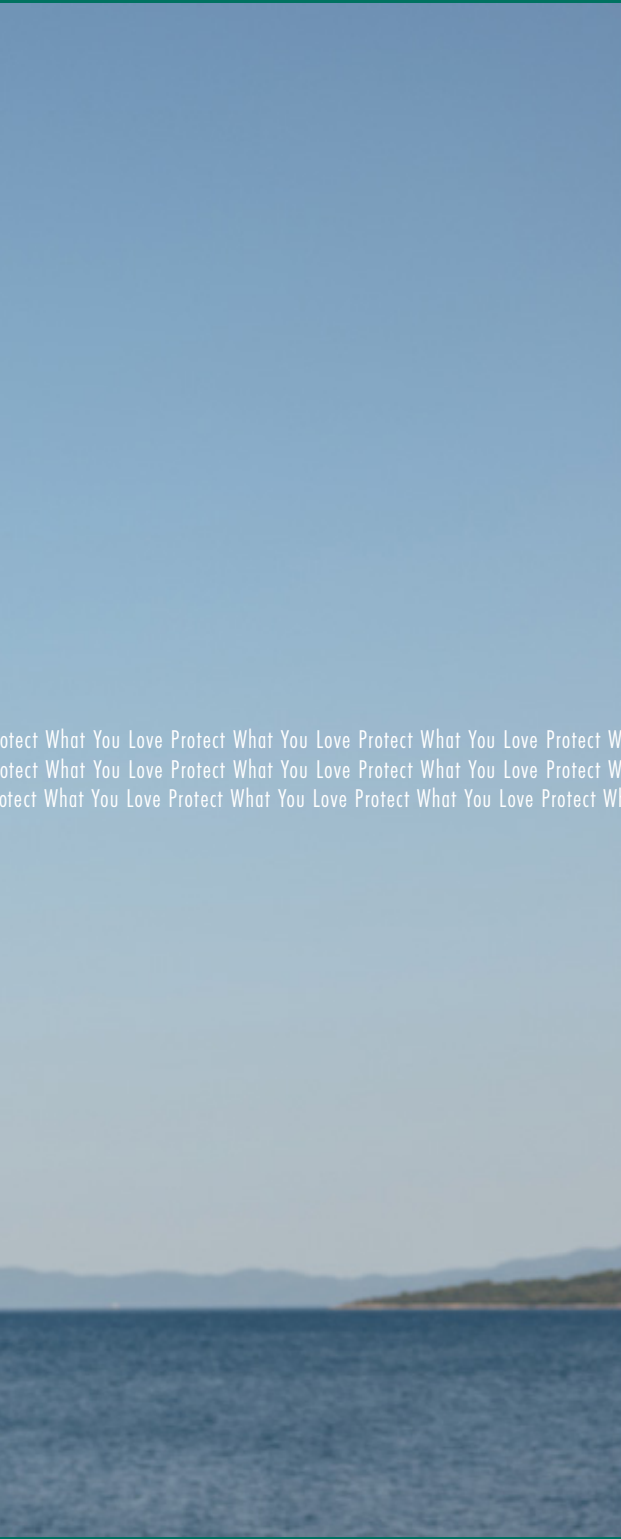


Protect What You Love Pr  
Protect What You Love Pr  
Protect What You Love Pr



The bluesign® system is the solution for a sustainable textile production. It eliminates harmful substances right from the beginning of the manufacturing process and sets and controls standards for an environmentally friendly and safe production. This not only ensures that the final textile product meets very stringent consumer safety requirements worldwide but also provides confidence to the consumer to acquire a sustainable product. The Dead Flower, Golden Black, Coco, Almond and Black Noise print fabric is BlueSign® approved.

Protect What You Love Protect What You Love Protect What You Love Protect What You Love Protect What You Love Protect What You Love Protect What You Love Protect What You Love  
 Protect What You Love Protect What You Love Protect What You Love Protect What You Love Protect What You Love Protect What You Love Protect What You Love Protect What You Love  
 Protect What You Love Protect What You Love Protect What You Love Protect What You Love Protect What You Love Protect What You Love Protect What You Love Protect What You Love



**YKK**

*Little Parts. Big Difference.®*

Since the introduction of NITRO's Bag line SPRING 2019, all bags are equipped with zippers from YKK. A leader in technology and respected for high quality and durable products, YKK is putting an emphasis on sustainability while minimizing the environmental impact of their business.



STREET APPROVED

# URBAM COLLECTION



Urban Collection Urban C  
ollection Urban Collectio  
Urban Collection Urban Co



# MOJO

Our light and versatile reinterpretation of a modern tote bag comes with multiple carry options to perfectly fit your style and needs. It can be easily transformed within seconds from a casual tote bag to backpack, shoulder bag, or it can be worn cross-over like a messenger bag.



Volume 16 L	Sizing 39 x 28 x 15 cm	Weight ca. 550 g
----------------	---------------------------	---------------------



## MOJO | Urban Collection

### Features:

- 4 carry options
- unique metal hardware
- front zip pocket
- 2 side pockets
- padded back + bottom
- padded 15" laptop sleeve
- organizer pockets
- removable seat cushion



Dune

Black Rose

Rosin

Night Sky

Pure Black



# NITRO TRAVELLER

Nitro's professional city bag is made clean on the outside but stacked on the inside with all the features an urban explorer needs from Monday to Sunday.



Volume  
32 L

Sizing  
54 x 31 x 21 cm

Weight  
ca. 890 g

NIKURO TRAVELER | Urban Collection

Features:

- a complimentary packing cube to organize your spare clothing and keep it separate from your business essentials
- large business organizer with specific slots and pockets for computer, chargers, cables, drives, mouse or glasses
- hidden zip pocket to securely pack your passport, cash or travel documents
- integrated toiletry pocket, sealed thru coated fabric and waterproof zipper
- EVA thermoformed backpanel to comfortably carry your bag even if heavily loaded
- side-carry handle and option to attached and secure your shoulder straps if not needed

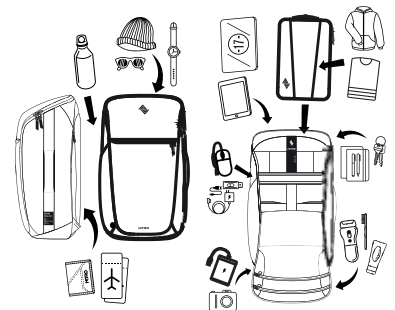


Night Sky

Black Out

Rosin

Wine



# WEEKENDER

The name says it all, equipped with all the storage organization for daily use while big enough for quickstrike weekend adventures in and out of the city grid.



Volume 42 L	Sizing 55 x 38 x 23 cm	Weight ca. 960 g
----------------	---------------------------	---------------------

WEEKENDER | Urban Collection

Features:

- internal padded 15" laptop sleeve
- pockets for cables+chargers
- fleece lined sunglass and smartphone pocket
- external front pocket for shoes or wet clothing
- large front organizer pocket
- side zip and mesh pockets
- ergo comfort straps with adjustable chest strap
- breathable and comfortable backpanel construction
- premium fashion fabrics



Dune



Tropical



Night Sky



Rosin



Wine



Forged Camo



Dead Flower



Black Noise



Coco



Tough Black



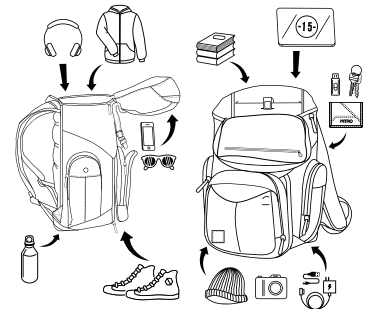
True Black



Black Rose



Grateful Pink



# DAYPACKER

The iconic everyday urban adventure backpack for those searching for a timeless daily bag - with quick access to multiple pockets at work, school, and on the fly.



Volume  
32 L

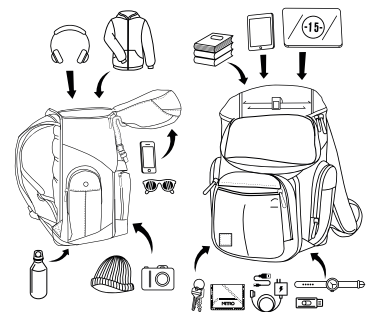
Sizing  
46 x 30 x 18 cm

Weight  
ca. 920 g

DAYPACKER | Urban Collection

Features:

- internal padded 15" laptop sleeve
- padded tablet sleeve
- pockets for cables+chargers
- fleece lined sunglass and smartphone pocket
- large front pocket
- side zip pockets
- ergo comfort straps with adjustable chest straps
- breathable and comfortable backpanel construction
- premium fashion fabrics



# SCRAMBLER

Nitro's bestselling rolltop backpack that keeps a slim silhouette but is equipped with a laptop sleeve and can be adjusted to pack more when you need it.



Volume  
28 L

Sizing  
47 x 30 x 12 cm

Weight  
ca. 900 g



SCRAMBLER | Urban Collection

Features:

- urban mobility bag with roll-top closure
- large, size adjustable main compartment with internal zip pocket
- padded 15" laptop pocket with external access
- quick-access travel-doc pocket
- front zip organizer pocket
- side handle
- padded ergo straps with adjustable chest straps
- soft padded mesh back panel
- gear loops



Dune

Tropical

Night Sky

Rosin

Wine

Forged Camo

Dead Flower

Black Noise

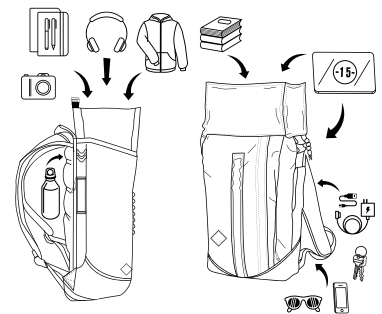
Coco



Tough Black



Black Rose



# MIKURO

Nitro's iconic professional city bag provides all the organizational solutions you need for your daily missions on and off-campus. The ergo straps and vented 3d molded back panel keep you comfortable no matter how long the commute.



Volume  
26 L

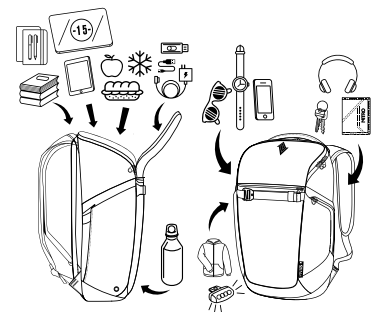
Sizing  
49 x 30 x 19 cm

Weight  
ca. 680 g

NIKURO | Urban Collection

Features:

- large main compartment with padded 15" laptop sleeve
- padded tablet sleeve
- internal organizer for documents and pens
- large zip mesh zip pocket
- insulated thermo pocket
- large front pocket
- carry strap for skate board or jackets with metal hook
- side zip pocket
- expandable side bottle pocket padded ergo straps with adjustable chest strap
- vented 3D molded back panel



# URBAM PLUS

A classic backpack silhouette with extra-large space for all the gear you need for Monday or Saturday's adventures.



Volume  
28 L

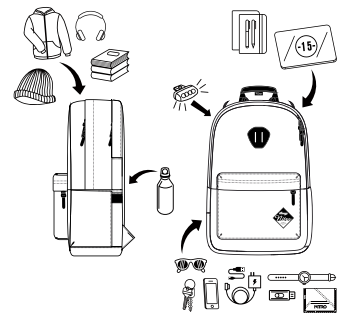
Sizing  
46 x 31 x 17 cm

Weight  
ca. 520 g

URBAN PLUS | Urban Collection

Features:

- urban style backpack with internal 15" padded laptop zip pocket
- large main zip pocket
- ergo comfort straps
- front zip pocket
- premium fashion fabric
- side bottle pocket
- 2-way zipper on main compartment



# URBAN CLASSIC

Nitro's take on the classic backpack silhouette and simplicity for today's digital urban explorer. A timeless look that goes with any outfit and can fit your daily needs.



Volume  
20 L

Sizing  
45 x 30 x 15 cm

Weight  
ca. 420 g

## URBAN CLASSIC | Urban Collection

### Features:

- urban style backpack with internal 15" padded laptop sleeve
- ergo comfort straps
- front zip pocket
- premium fashion fabric
- 2-way zipper on main compartment



NEW! Haze

Dune

Tropical

Night Sky

Rosin

Wine

Cyber Yellow

Forged Camo

Dead Flower



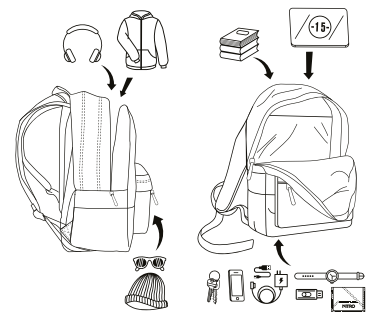
Tough Black

True Black

Forged Camo

Black Noise

Black Rose



# HIP BAG

A hip bag is not just a hip bag; it is whatever you need it to be, no matter the situation. From long overseas flights to quick trips to the skatepark to daily bike trips with friends, the hip bag will hold your valuables and keep them on you and safe.



Volume  
2 L

Sizing  
25 x 14 x 8 cm





**HIP BAG | Urban Collection**

**Features:**

- to be carried around the waist or over the shoulder
- comfortably carries your essentials on city trips, at festivals and concerts or spontaneous outdoor activities
- main pocket with access from the top for sunglasses, cell phone etc.
- protected pocket inside the backpanel to safely hide your wallet passport and other valuables
- padded backside
- size adjustable strap



**NEW!** Dune

Tropical

Night Sky

Rosin

Wine

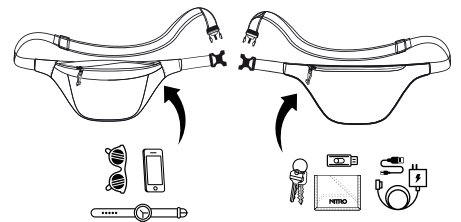
Forged Camo



Black Rose

True Black

Dead Flower



# DAYPACKER COLLECTION



DAYPACKER COLLECTION  
COLLECTION DAYPACKER  
DAYPACKER COLLECTION



# HERO

Nitro's bestselling backpack for those looking for a well-balanced and easy-to-use multipurpose bag for your regular days while sporting a friendly fit for an active commute.



Volume  
37 L

Sizing  
52 x 38 x 23 cm

Weight  
ca. 980 g

HERO | Daypacker Collection

Features:

- fleece line sunglass and smartphone pocket
- 2 large main compartments
- separate fleece lined tablet pocket
- internal padded 17" laptop pocket
- large front organizer pocket
- internal pockets for cables+chargers
- carry strap with metal buckle
- side mesh and zip pocket for bottles, wallet or keys
- 2-way zippers on all main compartments
- ergo comfort shoulder straps with adjustable chest strap
- soft padded and breathable back panel



NEW! Haze

Dune

Tropical

Night Sky

Rosin

Wine

Acid Dawn

Forged Camo

Dead Flower



Black Noise

Coco

Tough Black

True Black

Blur Brilliant Blue

Chili

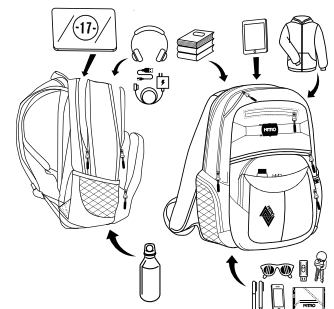
Grateful Pink

Frequency Blue

Zebra Ice



Black Rose



# CHASE

Nitro's bestselling backpack for those looking for a well-balanced and easy-to-use multipurpose bag for your regular days while sporting a friendly fit for an active commute.



Volume  
35 L

Sizing  
51 x 37 x 23 cm

Weight  
ca. 860 g

CHASE | Daypacker Collection

Features:

- fleece lined sunglass and smartphone pocket
- external 17" padded laptop pocket
- 2 large main compartments
- large front organizer pocket
- internal pockets for cables+chargers
- side mesh and zip pockets for bottles and wallets
- padded comfort shoulder strap with adjustable chest strap
- soft padded and breathable back panel
- external gear strap
- 2-way zippers on all main compartments



NEW! Haze

Dune

Tropical

Night Sky

Forged Camo

Acid Dawn

Black Noise

Coco

Black Rose



Grateful Pink

Frequency Blue

Tough Black

True Black



# STASH 29

The new aged everyday bag has plenty of compartments to give you a complete overview of your backpack life. A well-organized bag is the best way to start every day.



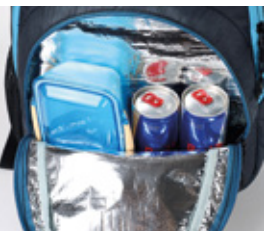
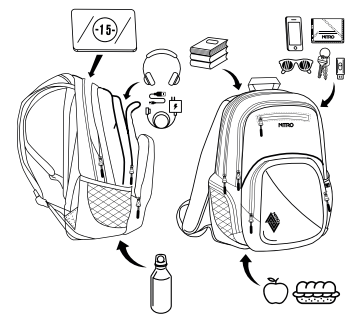
Volume 29 L	Sizing 49 x 30 x 22 cm	Weight ca. 800 g
----------------	---------------------------	---------------------



STASH 29 | Daypacker Collection

Features:

- fleece lined sunglass and smartphone pocket
- padded 15" laptop sleeve
- large organizer compartment
- front cooler pocket
- side mesh and zip pocket for bottles and keys
- ergo comfort shoulder straps with adjustable chest strap
- soft padded and breathable back panel
- 2-way zippers on all main compartments



# SUPERHERO

Built to support our future generation, the school kids, with plenty of space for all the daily essentials, engineered with ergo shoulder straps, waist straps, and back panels for long adventures to and from school.



Volume  
32 L

Sizing  
46 x 30 x 18 cm

Weight  
ca. 920 g

**SUPERHERO** | Daypacker Collection

Features:

- School Specific Youth Pack With 2 Large Main Compartments
- Internal Divider to Store Books and Documents and Internal Organizer
- Thermo-lined Front Pocket
- Fleece Lined Sunglass and Smartphone Pocket
- Reinforced Side Bottle Pocket
- Feather Light Backpanel and Carry System
- Weight Lifters and Waist Strap (detachable) for Perfect Fit and Weight Distribution when Carrying Heavy Loads
- Ergo Comfort Shoulder Straps with Adjustable Chest Strap
- Attachment Loops For Optional Rain Cover
- Light-loops and 360° Reflective Features For Maximum Safety
- Padded
- Durable Bottom Construction
- Optional Raincover Available



NEW! Haze

Tropical

Night Sky

Wine

Acid Dawn

Dead Flower

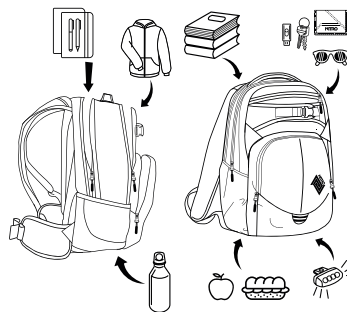
Black Rose

Golden Black



Grateful Pink

Frequency Blue



Additional Raincover available in Acid Blue and Yellow



- best fit on bags size 44 x 30 x 22 cm
- waterproof cover to protect your bag on rainy days
- designed to perfectly fit the superhero school bag
- compatible with many more bags of similar size



# PENCIL CASE XL



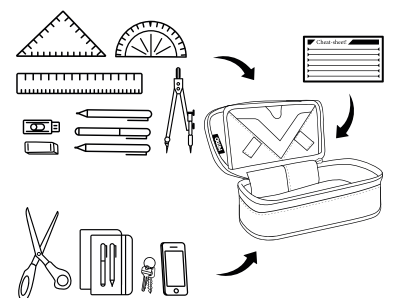
## PENCIL CASE XL | Daypacker Collection

Built to support our future generation, the school kids, with plenty of space for all the daily essentials, engineered with ergo shoulder straps, waist straps, and back panels for long adventures to and from school.

### Features:

- pencil case with large main compartment and internal divider
- triangular ruler
- pencil loops
- cheat sheet and hidden pocket

Sizing 21 x 10 x 6,5 cm	Weight ca. 130 g
----------------------------	---------------------



# SPORTSSACK



Black

## SPORTSSACK | Daypacker Collection

A minimalistic lightweight string closure bag for those times when you just need to throw some gear in a bag and go.

Features:

- Features: sports sack
- string closure
- reflective logo

Volume 35 L	Sizing 45 x 35 cm
----------------	----------------------



Acid Blue



Pink



# ADVENTURE COLLECTION



# ROVER 14



## ROVER 14 | Adventure Collection

### Features:

- size adjustable carry system with CROSS\_WINDS™ ventilation
- hydration compatible
- internal dry gear sleeve
- fleece lined goggle pocket
- backcountry gear pocket
- board and ski carry system
- external hiking pole stashing and gear loops
- adjustable waist and chest straps
- compression straps
- prepared for KORROYD PROPACK BACK PROTECTOR

Volume 14 L	Sizing 48 x 27 x 11 cm	Weight ca. 760 g
----------------	---------------------------	---------------------



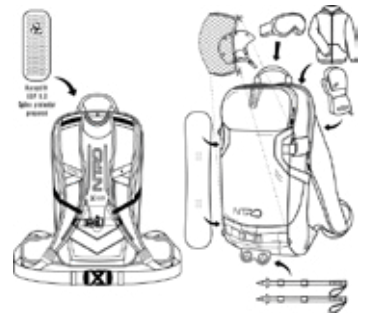
Phantom



Arctic



Supernova



# SPLITPACK 30



## SPLITPACK 30 | Adventure Collection

### Features:

- avalanche safety gear pockets
- optional KORROYD PROPACK BACK PROTECTOR
- goggle pocket
- additional gear pockets
- hydration compatible
- external water bottle zip-pocket
- build in mesh helmet carry
- hiking pole attachment system
- ice-axe loops
- board- and ski carry system
- multiple gear loops
- adjustable waist and chest straps
- Load Lifters

Volume 22-30 L	Sizing 53 x 32 x 21 cm	Weight ca. 920 g
-------------------	---------------------------	---------------------



Phantom

Arctic

Supernova

Blackout





# SLASH 25 PRO



## SLASH 25 PRO | Adventure Collection

### Features:

- ergo comfort backpanel construction with CROSS\_WINDS™ ventilation
- hydration compatible
- internal dry gear sleeve
- fleece lined goggle pocket
- backcountry gear pocket
- board and ski carry system
- external hiking pole stashing and gear loops
- adjustable waist and chest straps
- compression straps
- prepared KOROYD PROPACK BACK PROTECTOR

Volume 25 L	Sizing 53 x 31 x 15 cm	Weight ca. 1200 g
----------------	---------------------------	----------------------



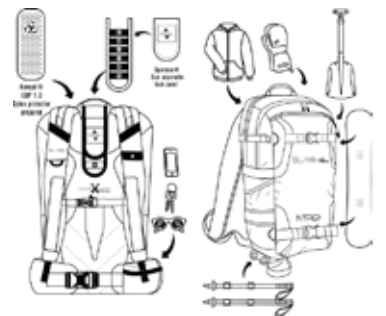
Phantom



Arctic



Supernova





**NITRO**  
BUILT FOR  
GOOD TIMES

[NITROBAGS.COM](https://nitrobags.com)